



KALORIK



Table grill
Plancha de asar eléctrica

USK GR 28215

120V~60Hz 1500W

www.KALORIK.com



Front cover page (first page)

Assembly page 1/16



Fax +32 2 359 95 50

Copies of the I/B. Please reproduce them without any changes except under special instruction from Team International BELGIUM. The pages must be reproduced and folded in order to obtain a booklet A5 (+/- 148.5 mm width x 210 mm height). When folding, make sure you keep the good numbering when you turn the pages of the I/B. Don't change the page numbering. Keep the language integrity. **Print only what is inside the frame.**



(EN) OPERATING INSTRUCTIONS

IMPORTANT SAFEGUARDS

When using electrical appliances, basic safety precautions should always be followed, including the following:

- 1. READ ALL INSTRUCTIONS BEFORE USE.**
2. DO NOT touch hot surfaces. Use handles or knobs.
3. To protect against electrical shock do not immerse the cord, plug, temperature controller or the appliance in water or other liquid.
4. Close supervision is necessary when any appliance is used by or near children.
5. Unplug from outlet when not in use and before cleaning. Allow to cool before putting on or taking off parts and before cleaning the appliance.
6. DO NOT operate any appliance with a damaged cord or plug or after the appliance malfunctions or has been damaged in any manner. Return the appliance to the nearest authorized service facility for examination, repair, or adjustment.
7. The use of accessory attachments not recommended by the appliance manufacturer may result in fire, electric shock or cause injury.
8. DO NOT let the cord hang over the edge of a table or counter, or touch hot surfaces.
9. DO NOT place on or near a hot gas or electric burner, or in a heated oven.
10. Extreme caution must be used when moving an appliance containing hot oil or other hot liquids.
11. DO NOT use the appliance for other than intended use.
12. Always attach the plug to the appliance first, then the plug cord into the wall outlet. To disconnect, turn any control to "OFF", then remove the plug from wall outlet.
13. DO NOT operate without the drip tray, or with no water in the drip tray.



Fax +32 2 359 95 50

Copies of the I/B. Please reproduce them without any changes except under special instruction from Team International BELGIUM. The pages must be reproduced and folded in order to obtain a booklet A5 (+/- 148.5 mm width x 210 mm height). When folding, make sure you keep the good numbering when you turn the pages of the I/B. Don't change the page numbering. Keep the language integrity. **Print only what is inside the frame.**



14. Do not use on plastic or synthetic tablecloths or any unstable place or near flammable goods including curtains, draperies, walls, and the like, as fire may occur.
15. This appliance is for use with Standard voltage outlet.
16. Never impact this unit or drop from high place.
17. DO NOT touch the plate surface while in use or before cooling down, even when the power is switched to the "OFF" position.
18. DO NOT touch the glass cover during use. HOT SURFACE!
19. Do not use metal utensils on the cooking plate, as they will scratch the non-stick coating.

SAVE THESE INSTRUCTIONS HOUSEHOLD USE ONLY

POLARIZED PLUG INSTRUCTIONS

Some appliances are equipped with a polarized plug (one blade is wider than the other). To reduce the risk of electric shock, this plug will fit into the polarized outlet only one way. If the plug does not properly fit into the outlet at first, reverse it. If it still does not fit, contact a competent qualified electrician. **Do not attempt to modify the plug in any way.**

For appliances equipped with a standard plug, simply insert the plug into the outlet without paying attention to the way you plug it.

SHORT CORD INSTRUCTIONS

A short detachable power supply cord is provided to reduce the hazards resulting from becoming entangled in, or tripping over a longer cord. Longer detachable power supply cords may be used if care is exercised in their use.

- The electrical rating of the longer cord should be at least that of the appliance. If the electrical rating of the extension cord is too low, it could overheat and burn.
- The longer cord should be arranged so that it will not drape over the counter top or tabletop where it can be pulled on by children or tripped over. The extension cord should be a grounding-type 3-wire cord.

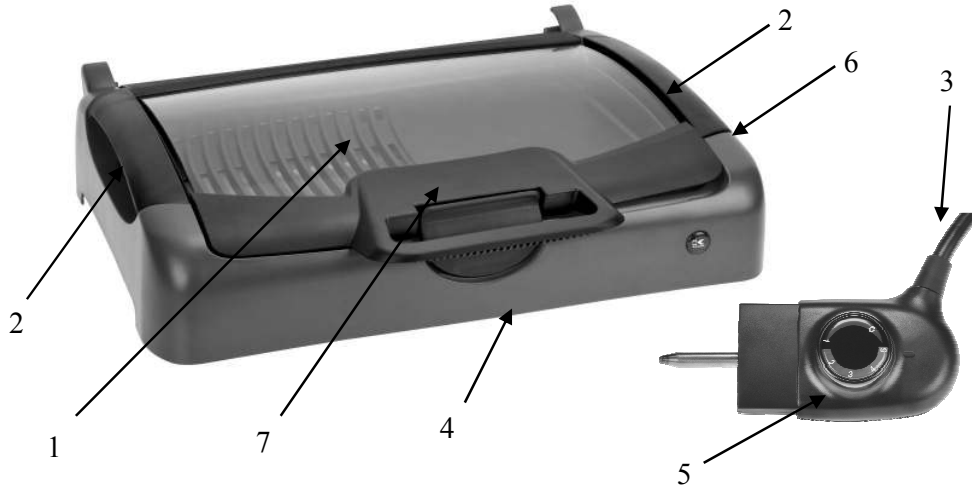


Fax +32 2 359 95 50

Copies of the I/B. Please reproduce them without any changes except under special instruction from Team International BELGIUM. The pages must be reproduced and folded in order to obtain a booklet A5 (+/- 148.5 mm width x 210 mm height). When folding, make sure you keep the good numbering when you turn the pages of the I/B. Don't change the page numbering. Keep the language integrity. **Print only what is inside the frame.**



PART DESCRIPTION



1. Grill plate
2. Handles
3. Wall socket cable
4. Base
5. Temperature controller
6. Cord receptacle (not visible on picture)
7. Removable tempered glass lid / windshield

BEFORE FIRST USE

- Clean the grill and all the accessories (Cf. "Cleaning and care"). It is recommended to heat up the grill for about 10 minutes without any foodstuff in order to eliminate the grease that may have adhered during manufacture and the "new" smell.
- Ventilate the room during this period.

ASSEMBLY

- Place the base of the appliance (4) on a stable surface. Seat the metallic grease collector in the base. This grease collector can be used with or without water inside. Position the grill plate (1) on the base (4).



Fax +32 2 359 95 50

Copies of the I/B. Please reproduce them without any changes except under special instruction from Team International BELGIUM. The pages must be reproduced and folded in order to obtain a booklet A5 (+/- 148.5 mm width x 210 mm height). When folding, make sure you keep the good numbering when you turn the pages of the I/B. Don't change the page numbering. Keep the language integrity. **Print only what is inside the frame.**



- Plug power cord into cord receptacle by inserting its plug into the connection inlet on the appliance and make sure the temperature controller is in OFF position.

OPERATION

- Apply a little oil on the cooking plate. Turn the knob to desired temperature level. Preheat the grill to reach the ideal cooking temperature. When the appliance reaches the desired temperature, the pilot light will go out.
- Use a wooden spatula to stir the food. Do not use sharp or plastic or metallic utensils to place or to remove or stir food as these can damage the non-stick surface of the cooking plate.
- You may vary the setting of the control knob at any time during operation and the power indicator light will go on and off.
- The grilling times vary according to the nature of the food and to your personal taste.
- When grilling is finished, turn the temperature controller to OFF and take the plug out of the power socket and then remove the temperature control probe.
- Do not remove the cooking plate from the frame during use. Use the frame to carry or move the unit after cooling for at least 30 minutes.

PRACTICAL HINTS

- Frozen food should always be thawed before it is grilled.
- To grill meat, put the thermostat in its maximum position and preheat the grill. For other ingredients, choose the temperature accordingly.
- If you grill vegetables, fish or lean meat, spray the grilling surface with a cooking spray. If you are grilling meat with any amount of fat, or if the food has been marinated, there is no need to treat the grill prior to cooking.
- The lid can be used closed during or after cooking to speed up the cooking process or keep the food warm.
- The grease collector can be used without water in it, or with water. With water, the cleaning is much easier, and the cooking is smokeless.



Fax +32 2 359 95 50

Copies of the I/B. Please reproduce them without any changes except under special instruction from Team International BELGIUM. The pages must be reproduced and folded in order to obtain a booklet A5 (+/- 148.5 mm width x 210 mm height). When folding, make sure you keep the good numbering when you turn the pages of the I/B. Don't change the page numbering. Keep the language integrity. **Print only what is inside the frame.**



CLEANING AND CARE

- Before cleaning, put the thermostat in OFF position and make sure that the plug has been removed from the mains supply socket.
- Allow the grill to cool down thoroughly and unplug the thermostat from the appliance before you carefully dispose of any grease residue.
- Never immerse the probe or plug in water or any other liquid. However, should there be water on the electric connection, wait until the appliance is completely dry before using it anew.
- The base, the tempered glass lid and the cooking surface are dishwasher safe and can be immersed in water. The grease collecting tank can be best cleaned in soapy water.
- Wipe the outer surfaces of the grill with a damp cloth and dry afterwards.
- Do not use harsh abrasive cleaners as these might damage the non-stick coating.



Fax +32 2 359 95 50

Copies of the I/B. Please reproduce them without any changes except under special instruction from Team International BELGIUM. The pages must be reproduced and folded in order to obtain a booklet A5 (+/- 148.5 mm width x 210 mm height). When folding, make sure you keep the good numbering when you turn the pages of the I/B. Don't change the page numbering. Keep the language integrity. **Print only what is inside the frame.**



WARRANTY

We suggest that you complete and return the enclosed Product Registration Card promptly to facilitate verification of the date of original purchase. However, return of the Product Registration Card is not a condition of these warranties. You can also fill this warranty card online, at the following address: www.KALORIK.com

This KALORIK product is warranted in the U.S.A. for 1 year from the date of purchase against defects in material and workmanship. This warranty is not transferable. Keep the original sales receipt. Proof of purchase is required to obtain warranty performance.

During this period, the KALORIK product that, upon inspection by KALORIK, is proved defective, will be repaired or replaced, at Kalorik's option, without charge to the customer. If a replacement product is sent, it will carry the remaining warranty of the original product.

This warranty does not apply to any defect arising from a buyer's or user's misuse of the product, negligence, failure to follow KALORIK instructions noted in the user's manual, use on current or voltage other than that stamped on the product, wear and tear, alteration or repair not authorized by KALORIK, or use for commercial purposes. There is no warranty for glass parts, glass containers, filter basket, blades and agitators, and accessories in general. There is also no warranty for parts lost by the user.

ANY WARRANTY OF MERCHANTABILITY OR FITNESS WITH RESPECT TO THIS PRODUCT IS ALSO LIMITED TO THE ONE YEAR LIMITED WARRANTY PERIOD.

Some states do not allow limitation on how long an implied warranty lasts or do not allow the exclusion of incidental or consequential damages, so the above limitations may not apply to you. This warranty gives you specific legal rights, and you may also have other rights which vary from state to state.



Fax +32 2 359 95 50

Copies of the I/B. Please reproduce them without any changes except under special instruction from Team International BELGIUM. The pages must be reproduced and folded in order to obtain a booklet A5 (+/- 148.5 mm width x 210 mm height). When folding, make sure you keep the good numbering when you turn the pages of the I/B. Don't change the page numbering. Keep the language integrity. **Print only what is inside the frame.**



If the appliance should become defective within the warranty period and more than 30 days after date of purchase, do not return the appliance to the store: often, our Consumer Service Representatives can help solve the problem without having the product serviced. If servicing is needed, a Representative can confirm whether the product is under warranty and direct you to the nearest service location.

If this is the case, bring the product, or send it, postage prepaid by the user (all Kalorik customers are responsible for the initial shipment back to the warranty center), along **with proof of purchase** and indicating a **return authorization number** given by our Consumer Service Representatives, to the authorized KALORIK Service Center (please visit our website at www.KALORIK.com or call our Customer Service Department for the address of our authorized KALORIK Service Center).

If you send the product, please include a letter explaining the nature of the claimed defect.

If you have additional questions, please call our Consumer Service Department (please see below for complete contact information), Monday through Friday from 9:00am - 6:00pm (EST). Please note hours are subject to change.

If you would like to write, please send your letter to:

KALORIK Consumer Service Department

Team International Group of America Inc.
1400 N.W 159th Street, Suite 102
Miami Gardens, FL 33169 USA

Or call:

Toll Free: +1 888-521-TEAM / +1 888-KALORIK

Only letters can be accepted at this address above. Shipments and packages that do not have a return authorization number will be refused.



Fax +32 2 359 95 50

Copies of the I/B. Please reproduce them without any changes except under special instruction from Team International BELGIUM. The pages must be reproduced and folded in order to obtain a booklet A5 (+/- 148.5 mm width x 210 mm height). When folding, make sure you keep the good numbering when you turn the pages of the I/B. Don't change the page numbering. Keep the language integrity. **Print only what is inside the frame.**



(SP) MANUAL DE INSTRUCCIONES

CONSEJOS DE SEGURIDAD

Cuando se utilizan aparatos eléctricos, hay unas precauciones básicas de seguridad que siempre se deben seguir, tales como:

- 1. LEA TODAS LAS INSTRUCCIONES.**
- No toque las superficies calientes. Siempre utilice las asas o los botones.
- Para protegerse contra una descarga eléctrica, no sumerja el aparato, el termostato o el enchufe en agua o en otros líquidos.
- Es siempre necesaria la supervisión cercana cuando este aparato sea utilizado cerca de niños. Este aparato no debe ser usado por niños.
- Desconecte el aparato de la toma de corriente cuando el aparato no se encuentre en uso y antes de limpiarlo. Deje enfriar el aparato antes de limpiarlo.
- No opere este y ningún aparato si el cable o el enchufe están quemados o dañados, o después de que el aparato ha funcionado inadecuadamente, se ha caído o ha sido dañado en cualquier manera. El aparato debe ser reemplazado por el fabricante o por un centro de servicio autorizado o por una persona similar calificada.
- El uso de accesorios o aditamentos que no sean los recomendados por el fabricante pueden causar incendios, descargas eléctricas o lesiones.
- No use en exteriores
- No permita que el cable cuelgue de la orilla de la mesa o del mostrador o toque las partes calientes.
- No coloque este aparato cerca de quemadores de estufas de gas o eléctricas, o dentro de un horno caliente.
- Cuando ase alimentos, tenga mucho cuidado cuando saque la bandeja o deseche grasa caliente.
- No use este aparato más que para lo que ha sido diseñado.
- NO haga funcionar sin la bandeja de goteo, o sin agua en la bandeja de goteo.
- Puede ocurrir un incendio si el aparato está en contacto con materiales inflamables, incluyendo cortinas, tapicería, paredes,



Fax +32 2 359 95 50

Copies of the I/B. Please reproduce them without any changes except under special instruction from Team International BELGIUM. The pages must be reproduced and folded in order to obtain a booklet A5 (+/- 148.5 mm width x 210 mm height). When folding, make sure you keep the good numbering when you turn the pages of the I/B. Don't change the page numbering. Keep the language integrity. **Print only what is inside the frame.**



etc. o sobre un tapete de plástico o sintético cuando está en funcionamiento.

15. Este aparato se puede conectar con una toma de corriente estándar.
16. Evite los choques en el aparato y no deje que caiga de lo alto.
17. No toque la placa (resistencia) durante el funcionamiento o antes que el aparato haya enfriado, aunque los mandos del aparato estén en la posición apagada (OFF).
18. NO toque la tapa de vidrio durante el uso. SUPERFICIE CALIENTE!
19. No utilice utensilios metálicos. Pueden dañar el revestimiento anti-adhesivo de la placa de cocción.

GUARDE ESTAS INSTRUCCIONES

INFORMACIÓN SOBRE EL ENCHUFE POLARIZADO

Algunos aparatos están provistos con un enchufe polarizado (una pata es más ancha que la otra). Para reducir el riesgo de choque eléctrico, este enchufe calza en el tomacorriente polarizado de una sola manera. Si el enchufe no cabe totalmente en el tomacorriente, gire el enchufe. Si aún así no calza, consulte a un servicio técnico cualificado. **No intente anular esta característica de seguridad.**

Para los aparatos provistos con un enchufe clásico, basta con insertar el enchufe en la toma de corriente.

INSTRUCCIONES DEL CABLE

El cable de alimentación del aparato es un cable corto separable, a fin de disminuir el riesgo de accidentes (caídas al tropezar con él, etc.) Sin embargo, puede utilizar un cable separable más largo si es necesario.

- Asegúrese de que el nivel eléctrico del cable más largo sea igual o mayor al indicado. Un cable más largo con un bajo nivel eléctrico correría el riesgo de sobrecalentarse y de estropearse.
- Para evitar riesgos colocar de forma tal que los niños no puedan jalarlo o tropezar con él. Que no arrastre nunca por el suelo. El cable debe ser un cable de tres hilos con toma de tierra.

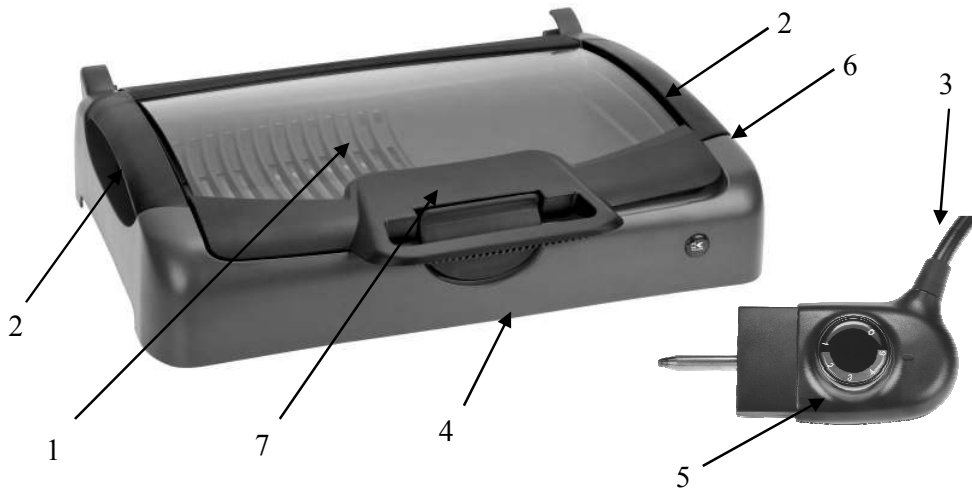


Fax +32 2 359 95 50

Copies of the I/B. Please reproduce them without any changes except under special instruction from Team International BELGIUM. The pages must be reproduced and folded in order to obtain a booklet A5 (+/- 148.5 mm width x 210 mm height). When folding, make sure you keep the good numbering when you turn the pages of the I/B. Don't change the page numbering. Keep the language integrity. **Print only what is inside the frame.**



PARTES



1. Placa de cocción
2. Manillas
3. Cable
4. Base
5. Controlador de temperatura
6. Orificio de conexión del termostato
7. Tapa de vidrio desmontable

ANTES DE UTILIZAR POR PRIMERA VEZ EL APARATO

- Limpie el asador y los accesorios (Cf. "Limpieza"). La primera vez que se enchufa, sale humo y huele. Esto es normal, puesto que en su fabricación se pueden haber adherido grasas que se estén quemando.
- Le recomendamos que tenga encendido el aparato durante 10 minutos sin comida y que ventile la habitación durante este tiempo.



Fax +32 2 359 95 50

Copies of the I/B. Please reproduce them without any changes except under special instruction from Team International BELGIUM. The pages must be reproduced and folded in order to obtain a booklet A5 (+/- 148.5 mm width x 210 mm height). When folding, make sure you keep the good numbering when you turn the pages of the I/B. Don't change the page numbering. Keep the language integrity. **Print only what is inside the frame.**



MONTAJE

- Coloque la base del aparato (4) sobre una superficie estable. Asiente el colector de grasa metálico en la base. El colector de grasa se puede utilizarse con o sin agua en su interior. La posición de la placa de cocción (1) sobre la base (4).
- Enchufe el cable en el orificio de conexión del termostato y ponga el botón de temperatura en la posición OFF.

PUESTA EN MARCHA

- Aplique un poco de aceite en la placa de cocción. Gire el botón hasta el nivel de temperatura deseada. Precaliente el asador para alcanzar la temperatura ideal. Cuando se llegue a la temperatura deseada, el testigo luminoso se apagará y puede añadir los alimentos en la placa.
- Utilice una espátula de madera para dar vuelta a la comida. No utilice utensilios metálicos o de plástico para colocar, remover o girar los alimentos, ya que estos pueden dañar la superficie antiadherente de la placa de cocción.
- El ajuste de temperatura puede variarse en cualquier momento durante el funcionamiento. El testigo luminoso se encenderá y apagará.
- El tiempo de cocción depende del tipo de alimento y de su gusto personal.
- Después de utilizar el aparato, coloque el botón del termostato en la posición apagada (OFF), desenchufe el aparato y a continuación, quite la sonda de control de la temperatura.
- No quite la placa de cocción de la estructura durante el uso. Use el marco para llevar o mover la unidad, después de dejarlo enfriar, durante al menos, 30 minutos.

CONSEJOS PRÁCTICOS

- Descongele los alimentos antes de ponerlos en el asador.
- Para asar la carne poco hecha coloque el termostato en su posición máxima y respete el precalentamiento. Para la cocción normal y según su gusto, seleccione la temperatura que mejor le parezca.



Fax +32 2 359 95 50

Copies of the I/B. Please reproduce them without any changes except under special instruction from Team International BELGIUM. The pages must be reproduced and folded in order to obtain a booklet A5 (+/- 148.5 mm width x 210 mm height). When folding, make sure you keep the good numbering when you turn the pages of the I/B. Don't change the page numbering. Keep the language integrity. **Print only what is inside the frame.**



- Si asa verduras, pescado o carne magra, humidifique la superficie de asa con un espray para asar. Si asa carne con un poco de grasa, o si la carne ha sido marinada, no hace falta utilizar un espray antes de asar.
- La tapa se puede cerrar durante o después de cocinar para acelerar el proceso de cocción o mantener la comida caliente.
- El colector de grasa se puede utilizar sin agua en él, o con agua. Con agua, la limpieza es mucho más fácil.

LIMPIEZA

- Antes de limpiar el aparato, coloque el botón del termostato en la posición apagada (OFF) y quite la clavija del enchufe mural.
- Deje enfriar el aparato antes de limpiarlo y desconecte el termostato del aparato antes de tirar todos los residuos de grasa.
- Nunca sumerja la sonda o el enchufe en agua ni en cualquier otro líquido. De todos modos, si hubiese agua en la conexión eléctrica, espere hasta que el dispositivo esté completamente seco antes de usarlo de nuevo.
- La base, la tapa de vidrio templado y la superficie de cocción son aptas para el lavavajillas y se pueden sumergir en el agua. El depósito de recogida de grasa lávelo a mano con agua jabonosa
- Limpiar las partes exteriores del asador con un paño ligeramente humedecido.
- No utilice detergentes agresivos o esponjas que puedan arañar el revestimiento anti adhesivo.



Fax +32 2 359 95 50

Copies of the I/B. Please reproduce them without any changes except under special instruction from Team International BELGIUM. The pages must be reproduced and folded in order to obtain a booklet A5 (+/- 148.5 mm width x 210 mm height). When folding, make sure you keep the good numbering when you turn the pages of the I/B. Don't change the page numbering. Keep the language integrity. **Print only what is inside the frame.**



GARANTÍA

Le sugerimos rellenar y nos envíen rápidamente la Tarjeta de Registro de Producto adjunta para facilitar la verificación de la fecha de compra. Por lo tanto, la devolución de esa Tarjeta de Registro de Producto no es una condición imprescindible para la aplicación de esa garantía. Puede también rellenar dicha tarjeta de garantía en línea en la dirección siguiente: www.KALORIK.com

A partir de la fecha de compra, este producto KALORIK está garantizado un año contra los defectos materiales y de fabricación, en los Estados Unidos. Esta garantía no es transferible. Conserve la prueba de compra original. Se exige una prueba de compra para obtener la aplicación de la garantía.

Durante este período, si el producto KALORIK después de una inspección por parte de KALORIK, se manifiesta defectuoso, será reparado o reemplazado, según lo que decida KALORIK, sin gastos para el consumidor. Si se envía un producto de reemplazo, se aplicará la garantía que queda del producto original.

Esta garantía no se aplica a los defectos causados por una mala utilización por parte del comprador o del usuario, o una negligencia al no respeto del manual de instrucciones KALORIK, o una utilización en un circuito eléctrico cuyo voltaje es diferente al que figura en el producto, o un desgaste normal, o modificaciones o reparaciones no autorizadas por KALORIK, o por un uso con fines comerciales. No existe garantía por las partes de cristal, jarras de cristal, filtros, cestos, cuchillas y accesorios en general. No existe tampoco garantía por las piezas perdidas por el usuario.

Toda garantía de valor comercial o de adaptabilidad a este producto está limitada a un año también.

Algunos estados no ponen límites a la duración de la garantía tácita o no autorizan la exclusión de daños y perjuicios accesorios o indirectos, por lo que puede que las restricciones anteriormente mencionadas no le sean aplicables a Usted. Esta garantía le otorga derechos legales particulares, pero usted puede tener también otros



Fax +32 2 359 95 50

Copies of the I/B. Please reproduce them without any changes except under special instruction from Team International BELGIUM. The pages must be reproduced and folded in order to obtain a booklet A5 (+/- 148.5 mm width x 210 mm height). When folding, make sure you keep the good numbering when you turn the pages of the I/B. Don't change the page numbering. Keep the language integrity. **Print only what is inside the frame.**



derechos que varían de un estado a otro y algunos derechos pueden variar de un estado a otro.

Si el aparato tuviera un defecto durante el periodo de garantía y / o más de 30 días después de que se compró, no devuelva el aparato en la tienda donde le compró: a menudo, nuestro Servicio al Consumidor puede ayudar a resolver el problema sin que el producto tenga que ser reparado. Si hace falta una reparación, uno de nuestros representantes puede confirmar si el producto está bajo garantía y dirigirle al servicio post-venta más próximo.

Si fuera el caso, traiga el producto (o envíelo, correctamente franqueado) con la **prueba de compra** que mencione **el número de autorización de devolución** indicado por nuestro Servicio al Consumidor, al servicio post-venta KALORIK más próximo. (Visite nuestra web www.KALORIK.com o llame al Servicio al Consumidor para obtener la dirección del Servicio post-venta KALORIK exclusivo más próximo).

Si envía el producto, le rogamos añadan una carta explicando la naturaleza del defecto.

Si tiene preguntas adicionales, por favor llame al Servicio al Consumidor (véase abajo para los datos completos), de lunes a viernes, de las 9 a las 18 (EST). Note que las horas pueden ser modificadas.

Si quiere escribirnos, puede hacerlo a la dirección siguiente:

KALORIK Servicio al Consumidor

Team International Group of America Inc.
1400 N.W 159th Street, Suite 102
Miami Gardens, FL 33169 USA

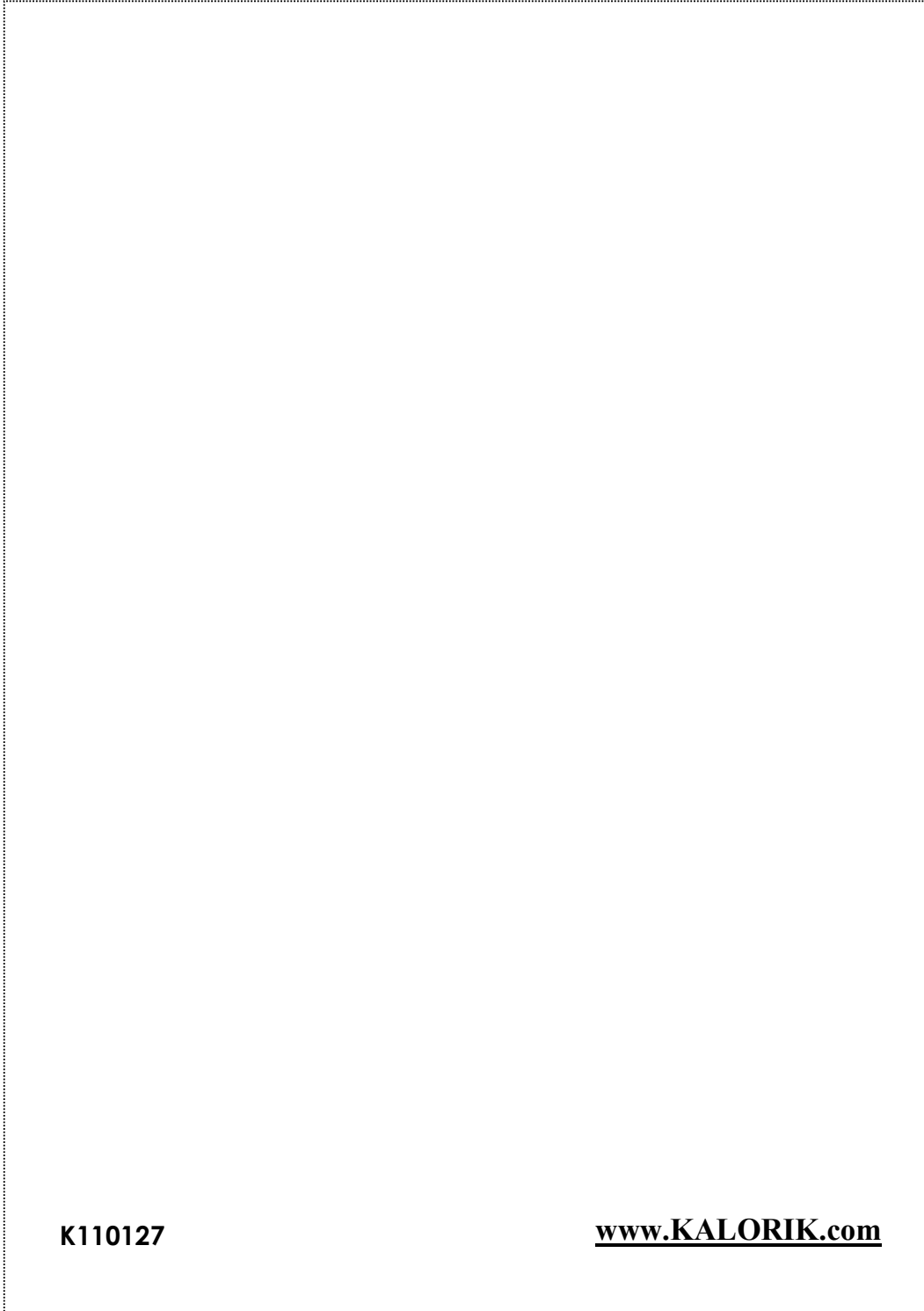
O llame gratuitamente (U.S.A.) al +1 888-521-TEAM / +1 888-KALORIK

Las cartas se aceptan solamente en la dirección anteriormente mencionada. Los envíos y paquetes que no tengan número de autorización de devolución serán rechazados.



Fax +32 2 359 95 50

Copies of the I/B. Please reproduce them without any changes except under special instruction from Team International BELGIUM. The pages must be reproduced and folded in order to obtain a booklet A5 (+/- 148.5 mm width x 210 mm height). When folding, make sure you keep the good numbering when you turn the pages of the I/B. Don't change the page numbering. Keep the language integrity. **Print only what is inside the frame.**



K110127

www.KALORIK.com



Back cover page (last page)

Assembly page 16/16